

Rectangular OSM70



Descriptions:

Metal housing, 150m laser opposed, 30m laser retro-reflective, 25m laser polarized retro-reflective, 3m laser BGS diffuse, coaxial technology, no blind zone, precise positioning, wide voltage supply, relay output

Features:

- BGS function greatly improves the detection effect
- Long detection distance
- Adjust the sensitivity by knob
- IP67 protection class
- Push-pull / relay output

Type: (light source-laser)

Detection mode	Type	Distance	Light source	Frequency	Output	Switch mode	Connection	Wiring
Opposed	OSM70-SL6	150m	Laser	---	---	---	2m cable	Fig.1
	OSM70-ELVB6		---	1KHz	Push-Pull	Light on / dark on	2m cable	Fig.4
	OSM70-SL6Q	150m	Laser	---	---	---	M12 4-pin connector	Fig.2
	OSM70-ELVB6Q		---	1KHz	Push-Pull	Light on / dark on	M12 4-pin connector	Fig.4
	OSM70-SL5	150m	Laser	---	---	---	2m cable	Fig.3
	OSM70-ELVR5		---	50Hz	Relay	Light on / dark on	2m cable	Fig.5
Retro-reflective	OSM70-RLVB6	30m	Laser	1KHz	Push-Pull	Light on / dark on	2m cable	Fig.4
	OSM70-RLVB6Q	30m	Laser	1KHz	Push-Pull	Light on / dark on	M12 4-pin connector	Fig.4
	OSM70-RLVR5	30m	Laser	50Hz	Relay	Light on / dark on	2m cable	Fig.5
Polarized retro-reflective	OSM70-RPLVB6	25m	Laser	1KHz	Push-Pull	Light on / dark on	2m cable	Fig.4
	OSM70-RPLVB6Q	25m	Laser	1KHz	Push-Pull	Light on / dark on	M12 4-pin connector	Fig.4
	OSM70-RPLVR5	25m	Laser	50Hz	Relay	Light on / dark on	2m cable	Fig.5
BGS	OSM70-AKL3000VB6	3m	Laser	50Hz	Push-Pull	Light on / dark on	2m cable	Fig.4
	OSM70-AKL3000VB6Q	3m	Laser	50Hz	Push-Pull	Light on / dark on	M12 4-pin connector	Fig.4
	OSM70-AKL3000VR5	3m	Laser	50Hz	Relay	Light on / dark on	2m cable	Fig.5

ELCO Industrie Automation GmbH
Benzstrasse 7
71720 Oberstenfeld
Deutschland
E-Mail: info@elco-automation.de



www.elco-automation.de

ELCO (TIANJIN) ELECTRONICS CO., LTD.
No. 12, 4th XEDA Branch Road
Xiqing Economic Development Area
Tianjin 300385, P. R. China
E-Mail: info@elco.cn



www.elco-holding.com.cn



Long distance laser sensor

OSM60/OSM70



Rectangular OSM60



Descriptions:

Laser ranging sensor
Laser source, metal housing
Can be displayed by LED and set by button
Multiple interfaces

Features:

- LED display + LED indicator
- Teach button setting
- Strong resistance to extreme light interference
- Compact size
- Analog, switch dual output

Type:

Type	Distance	Light source	Frequency	Output	Resolution	Connection	Wiring
OSM60-KL10V2BLIU6Q12.8/R	0.2-10m	Red laser	---	2xPush-Pull Analog mA/V	5mm	M12 connector	Fig.1

Technical Data:

Operating voltage	10-30VDC
Power	< 1W
Analog output	Voltage 0-10V, current 4-20mA
Switch output	2xPush-pull
Resolution(mm)	5mm
Preheat time	30min
Measurement accuracy	±2cm
Response time	20ms
Repeatability	1cm
Green LED is bright	Ready
Yellow LED flashes	Object detection, teaching
Housing material	Stainless steel
Spot size/distance	About φ 2cm/10m
Ambient temperature	-20°C...+50°C
Connection	M12 connector
Protection class	IP67
Dimensions (mm)	68.5x69.7x37

Rectangular OSM60

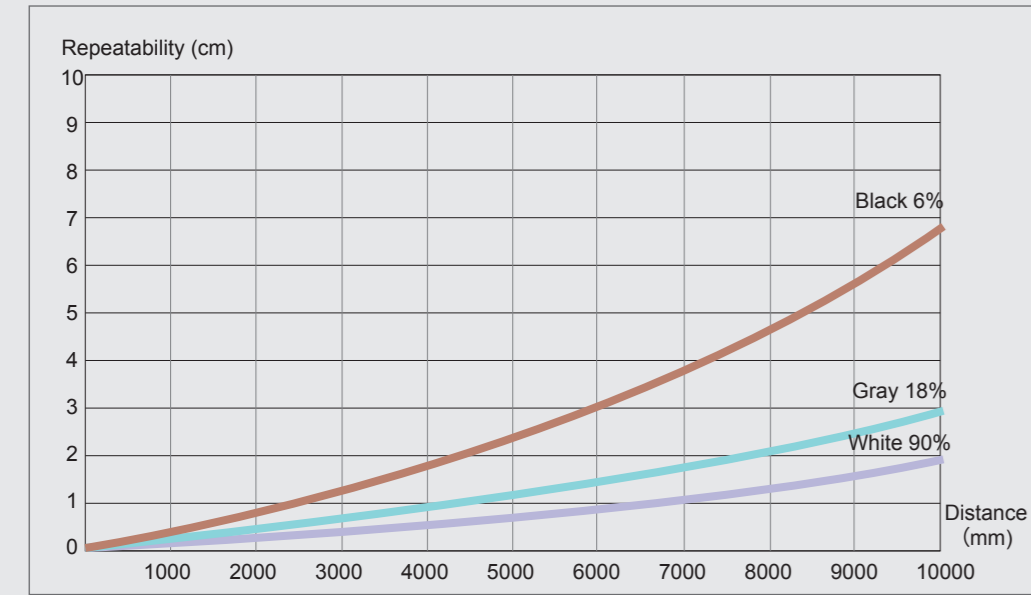
Interface output:



Serial number	Wire color	Function
1	white	N/A
2	brown	10...30VDC
3	green	Q ₁ ANALOG OUTPUT(I)
4	yellow	Q1
5	grey	Q2
6	pink	Q ₂ ANALOG OUTPUT(V)
7	blue	0V
8	red	TRIGGER

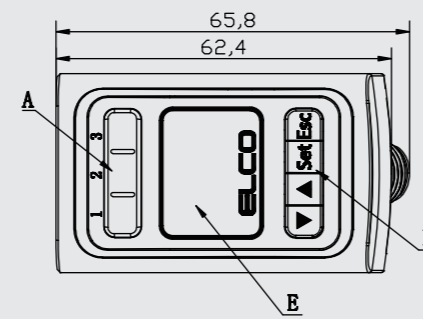
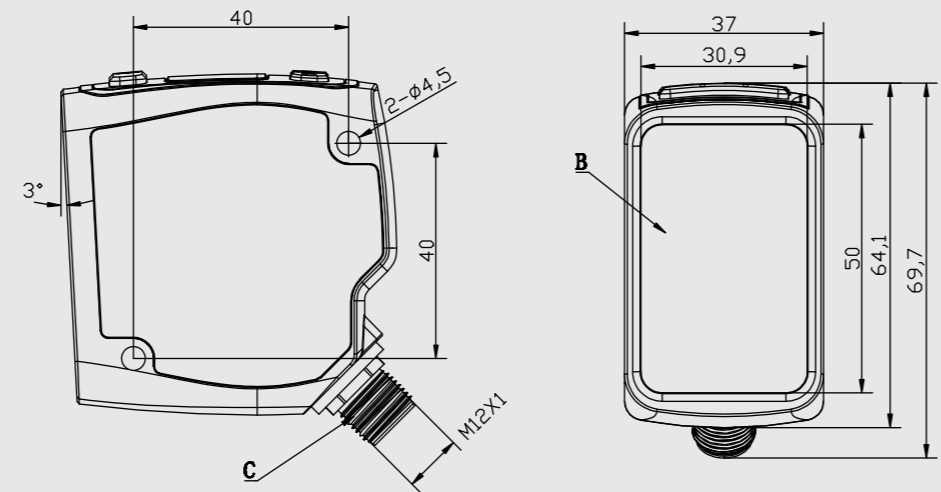
Repeatability:

Repeatability (cm)
[white 90%, gray 18%, black 6%]



Rectangular OSM60

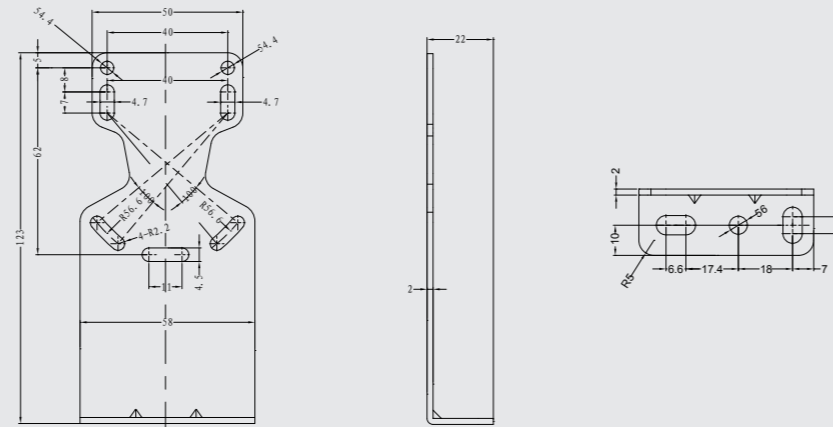
Dimensions:



- A 1 (green) 2 (yellow) 3 (yellow) indicator
- B emitting & receiving
- C M12*1 connector
- D Button
- E Display

Mounting bracket :

EOSM60-1

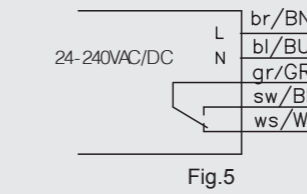
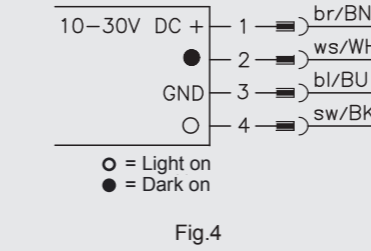
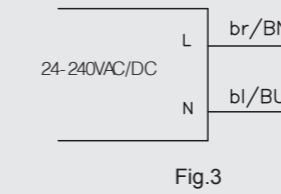
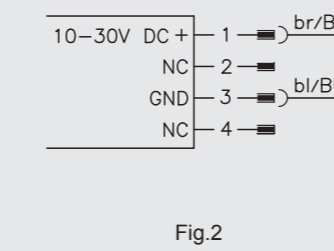
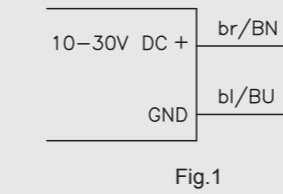


Rectangular OSM70

Technical Data:

Operating voltage	10...30VDC (push-pull), 24...240VAC/DC (relay)
Ripple voltage	±10% of U _B
Switch output	Push-Pull
Output characteristics	Light on / dark on
Repeatability	≤3%
light source	650nm laser
Spot diameter	5mm (at 7m)
No-load current	≤30mA
Load current	≤450mA (push-pull), ≤3A (relay)
Protection circuit	Reverse polarity protection, short circuit protection, surge protection (relay)
LED	Power (green), switch (red)
Housing material	Die-cast aluminum
Connection	M12 connector / 2 meter cable
Operating temperature	-25°C...55°C
Storage temperature	-40°C...70°C
Ambient humidity	35...85%RH
Protection class	IP67
Dimensions	27×54×84mm

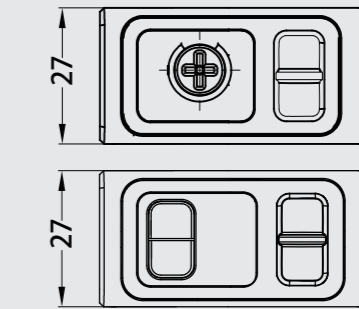
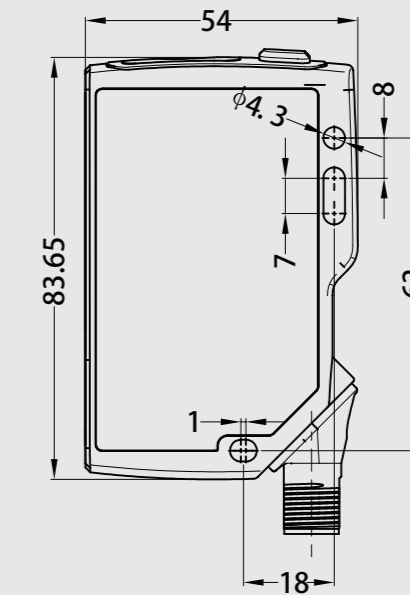
Wiring:



Rectangular OSM70

Dimensions:

M12 connector



2 meter cable

